

Dome Skylight

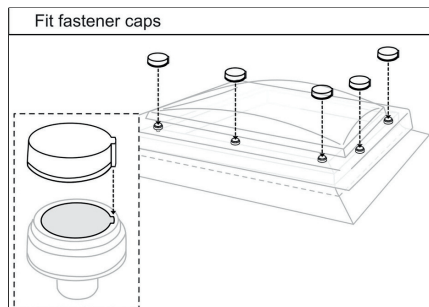
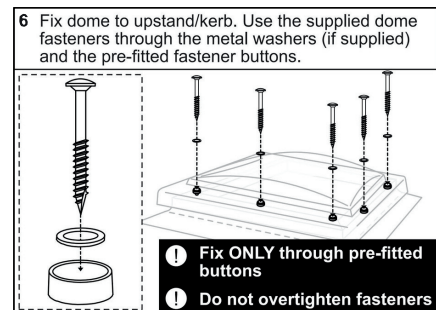
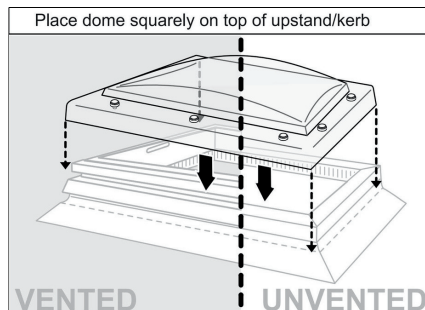
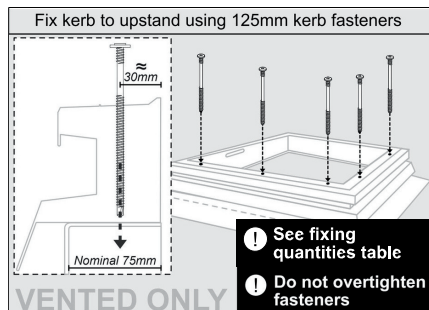
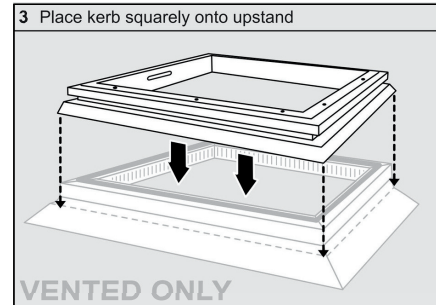
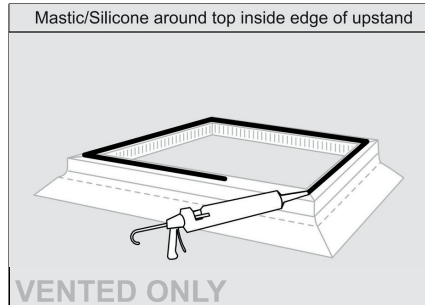
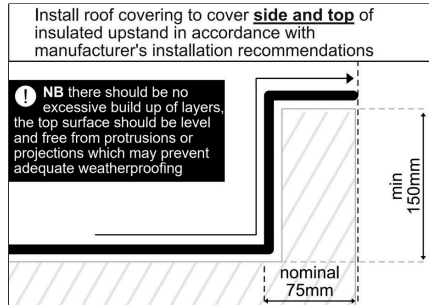
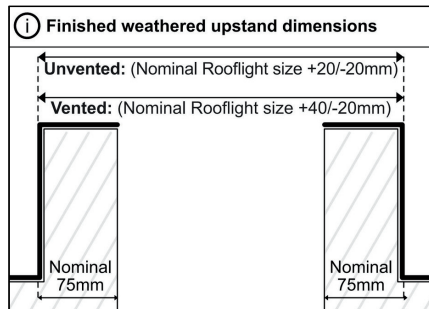


TB186

Fixed Dome on builders upstand

Contents		! Take care when unpacking		Check all correct parts are included and undamaged		Only use fixings supplied																	
						<table border="1"> <thead> <tr> <th colspan="2">Fixing Quantities</th> </tr> <tr> <th>Length of Nominal Dome Side (mm)</th> <th>Number of fixings per side</th> </tr> </thead> <tbody> <tr> <td>600, 750</td> <td>2</td> </tr> <tr> <td>900, 1050, 1200</td> <td>3</td> </tr> <tr> <td>1350, 1500, 1650</td> <td>4</td> </tr> <tr> <td>1800, 1950</td> <td>5</td> </tr> <tr> <td>2100, 2250</td> <td>6</td> </tr> <tr> <td>2400</td> <td>7</td> </tr> </tbody> </table>		Fixing Quantities		Length of Nominal Dome Side (mm)	Number of fixings per side	600, 750	2	900, 1050, 1200	3	1350, 1500, 1650	4	1800, 1950	5	2100, 2250	6	2400	7
Fixing Quantities																							
Length of Nominal Dome Side (mm)	Number of fixings per side																						
600, 750	2																						
900, 1050, 1200	3																						
1350, 1500, 1650	4																						
1800, 1950	5																						
2100, 2250	6																						
2400	7																						

! All Health & Safety Regulations must be followed on site throughout the installation process



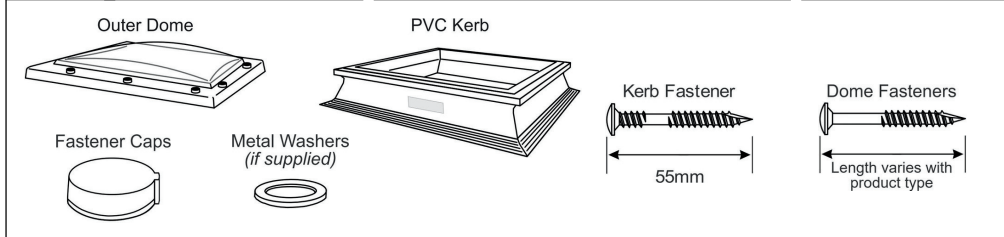
Dome Skylight



TB186

Fixed Dome on PVC kerb

Contents **!** Take care when unpacking **Check all correct parts are included and undamaged** **Only use fixings supplied**



Fixing Quantities	
Length of Nominal Dome Side (mm)	Number of fixings per side
600, 750	2
900, 1050, 1200	3
1350, 1500, 1650	4
1800, 1950	5
2100, 2250	6
2400	7

! All Health & Safety Regulations must be followed on site throughout the installation process

